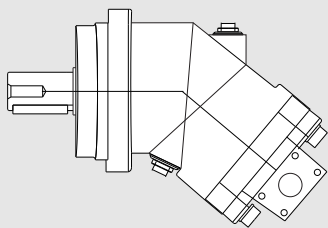
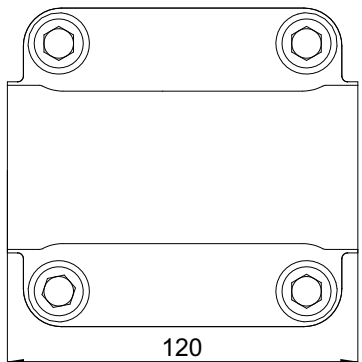


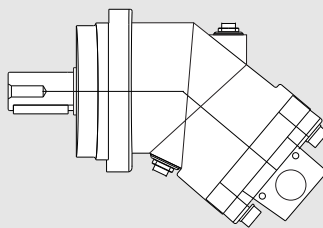
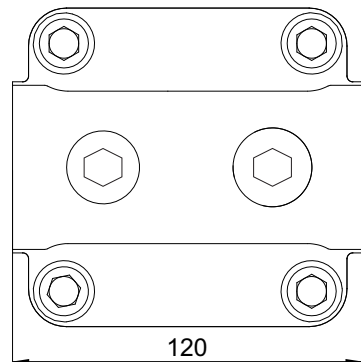
D1-D2

Side flange ports A and B
SAE 1/2" 6000 PSI



D3

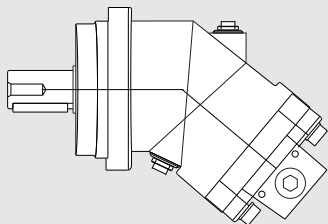
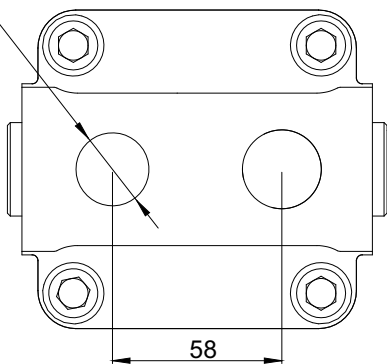
Side threaded ports A and B



R2

Rear threaded ports

M27x2 prof. 16



D4

Side threaded ports A and B

