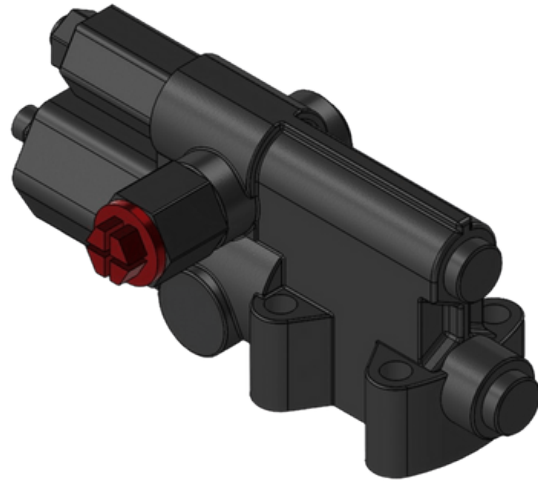


Accessory;  
**LS-X,LS-C Control (DFR,DFR1)**



Size (NG)

Valve Geometric displacement

18 28 45 71 88 100 140

