

# Installation

## POSITION

2PEM Motors can be operate any position.

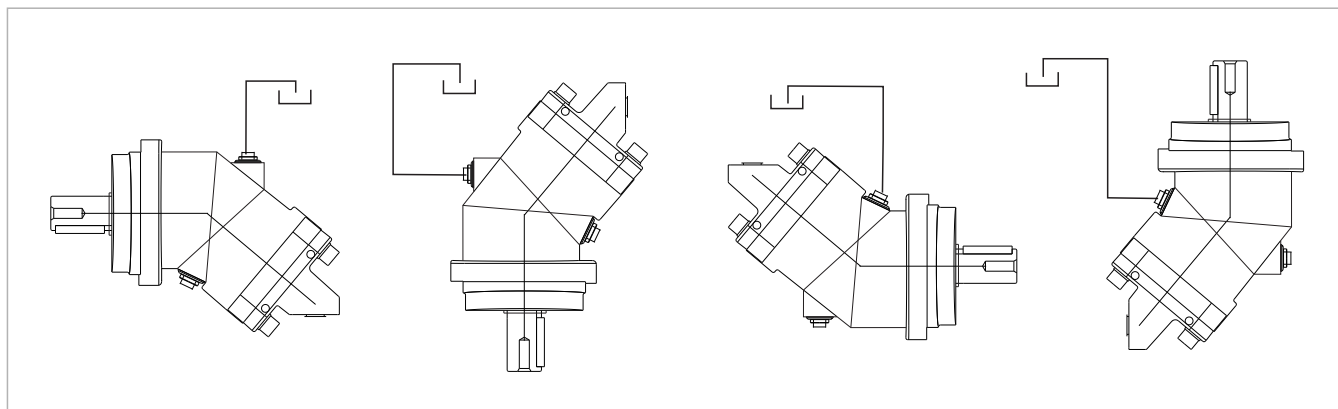
## DIRECTION OF ROTATION

2PEM Motors can be operate in both directions of rotation.

Before of Installation operation, the motor must be filled with hydraulic fluid and air bled.

## INSTALLATION POSITION

See following examples.

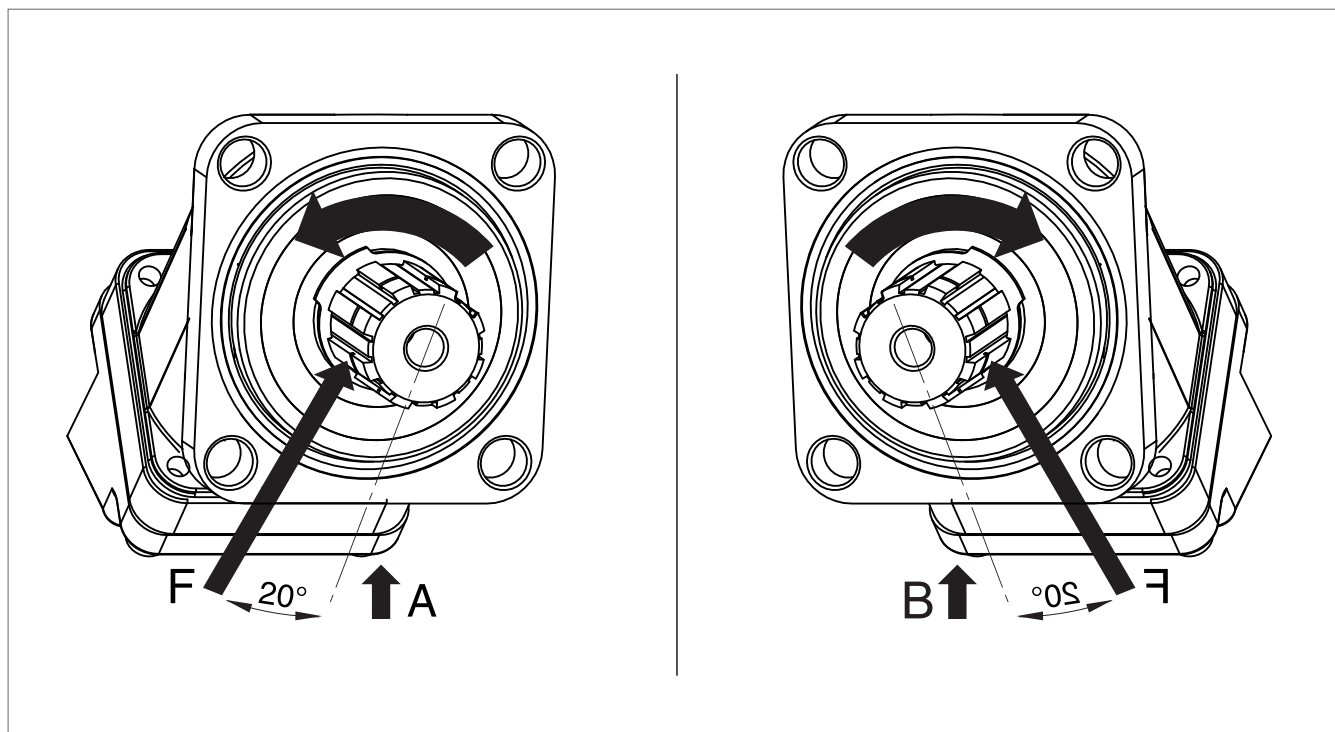


## HYDRAULIC FLUID

Recommended ;

Generally : between 15 and 200 cSt.

Maximum : between 5 and 1600 cSt.



## FOR USE;

Available via e-mail on request or each motor is supplied via Starting datasheet.

For detailed information about 2PEM Bent Axis Motors, please contact with Technical Department !!!