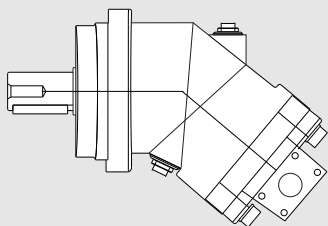
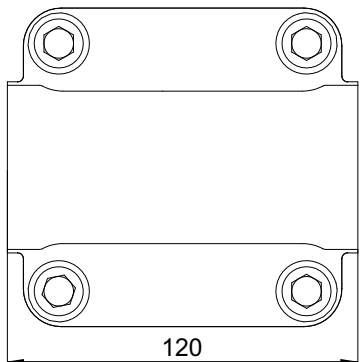


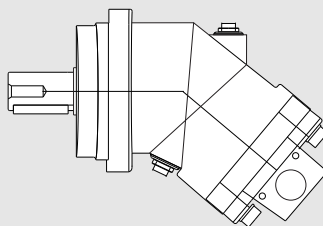
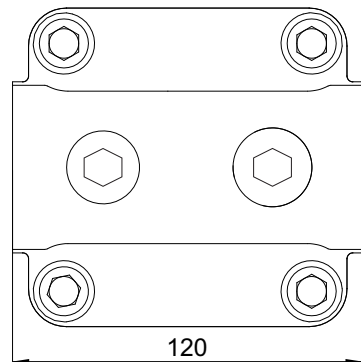
## D1-D2

Side flange ports A and B  
SAE 1/2" 6000 PSI



## D3

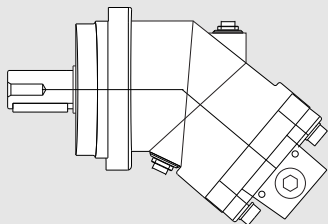
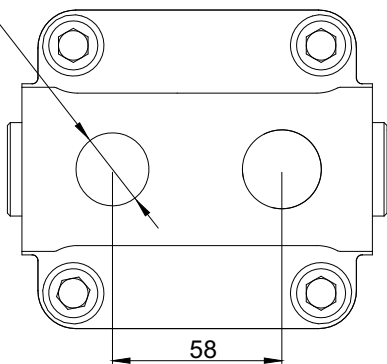
Side threaded ports A and B



## R2

Rear threaded ports

M27x2 prof. 16



## D4

Side threaded ports A and B

