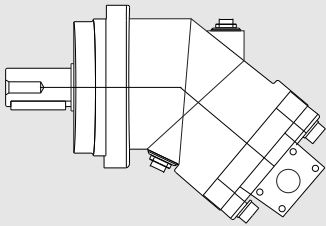
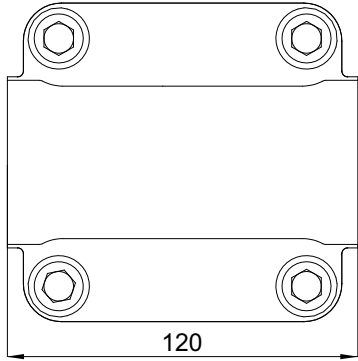


2PM 25

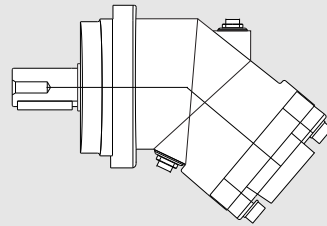
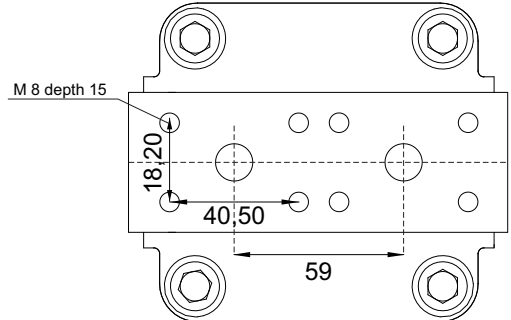
D1-D2

Side flange ports A and B
SAE 1/2" 6000 PSI



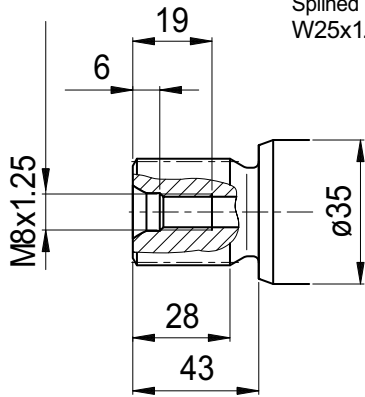
R1

Rear flange ports A and B
SAE 1/2" 6000 PSI



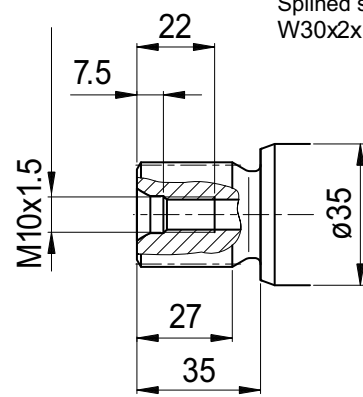
S1

Splined shaft DIN 5480
W25x1.25x18x9g



S2

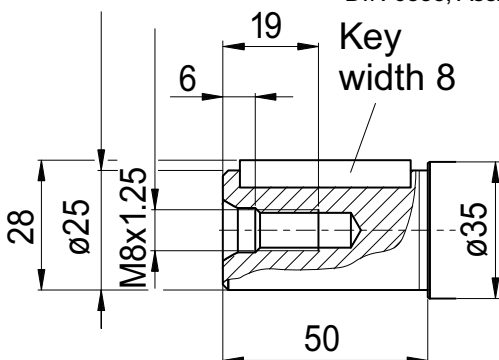
Splined shaft DIN 5480
W30x2x14x9g



K1

Parallel keyed shaft
DIN 6885, As8x7x40

Key
width 8



K2

Parallel keyed shaft
DIN 6885, As8x7x40

Key
width 8

