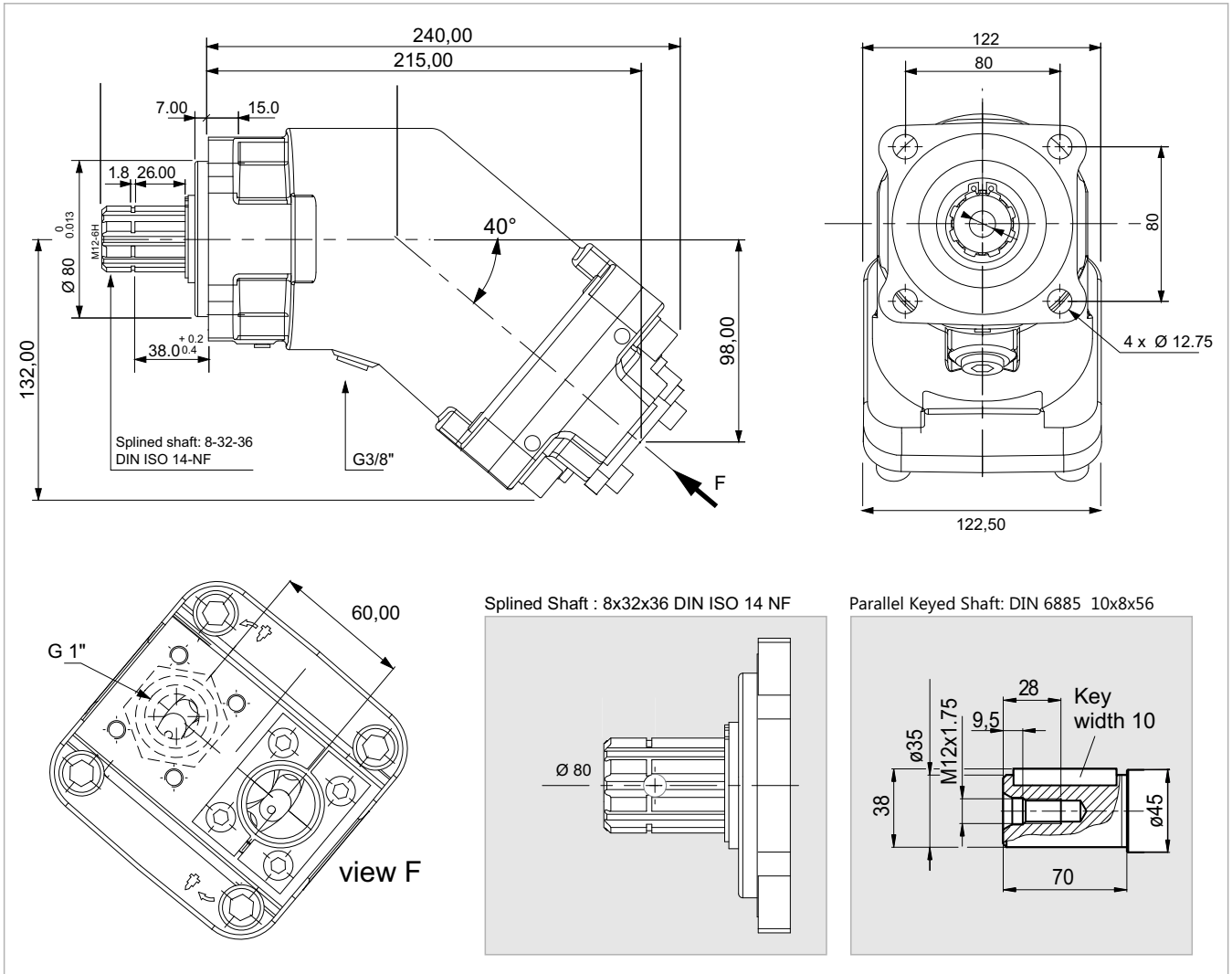


# 2PBM 80



<b>x 1000 rpm</b>	80,00 cc
<b>x 1500 rpm</b>	120,00 cc
<b>Max. Continuous Pump Speed</b>	4400 rpm
<b>Max. Intermittent Pump Speed</b>	4900 rpm
<b>Max. Continuous Pressure</b>	400 bar
<b>Max. Peak Pressure</b>	450 bar
<b>Torque bar</b>	1.28 m.N/bar
<b>Torque at 350 bar</b>	440 m.N
<b>Weight without accessories</b>	15,00 kg
<b>Weight with accessories</b>	15,50 kg
<b>Max. Motor Temperature</b>	-25°
<b>Min. Motor Temperature</b>	110°