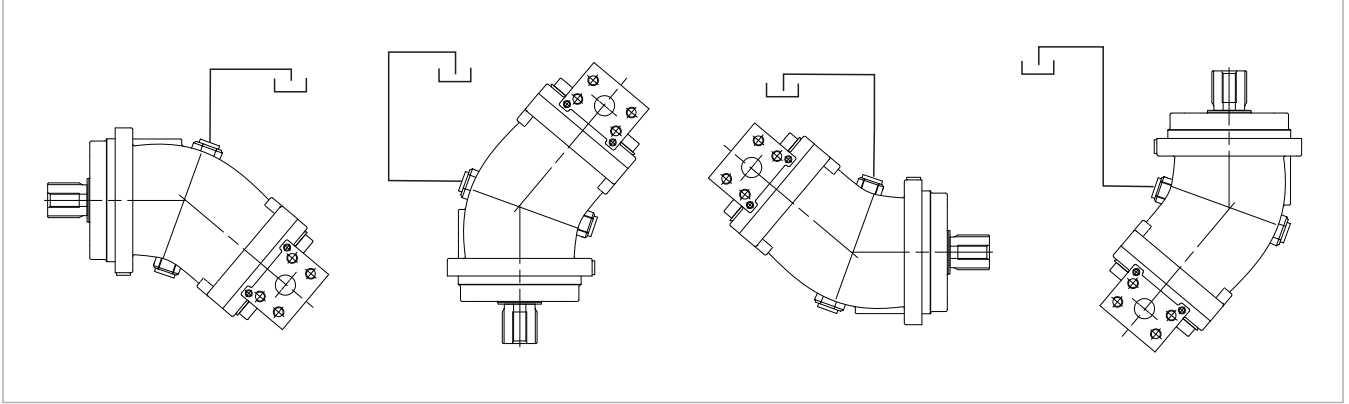


# Installation

The 2PS Pumps can be operate any position.  
See following examples.



## OIL SUPPLY

Oil and supply line should be clean, and the supply line is airtight.

## SUCTION LINE

Connect the suction line, tighten the suction connection bolts in diametric pairs.  
Connect the pressure line.

## REPAIR

We offers a comprehensive range of services for the repair of our Bent Axis Pumps.  
Repairs to the 2PS Bent Axis Pump may only be performed by authorized, skilled and instructed personnel.  
Only use original and pre-installed our 2PS spare parts from supplied to Manufacturer..

Tested and pre-installed 2PS pumps successful repair requiring only little time.

## SPARE PARTS

The spare parts list and the 2PS pump order specific.  
When ordering spare parts, quote the material and complete Ordering code number of the 2PS Bent Axis Pump as well as the right numbers of the spare parts.

## RISK OF DAMAGE!

Do not touch the drive shaft of the 2PS Bent Axis Pump  
Do not touch sensor, valves and fittings  
Do not touch sealing surfaces.

## DIMENSIONS & WEIGHTS

Weight														
- Without accessories	kg	6,00	6,00	6,00	11,50	11,50	11,50	17,50	18,00	18,00	22,00	22,50	23,50	
- With accessories	kg	6,20	6,20	6,20	11,80	11,90	11,90	18,00	18,50	18,50	22,50	23,00	24,00	

Address all questions regarding spare parts to your responsible Our Service Partner or the technical service department of the manufacture's plant / factory for the 2PS Bent Axis Pumps.

## ÇELEBİ HİDROCEL OTOM. SAN. TİC. LTD. ŞTİ.

Fevziçakmak mh. Aslım Cd. No: 53 C Karatay / KONYA  
Phone : +90 (332) 345 13 70 - +90 (332) 345 13 71  
hidrocel@hidrocel.com.tr