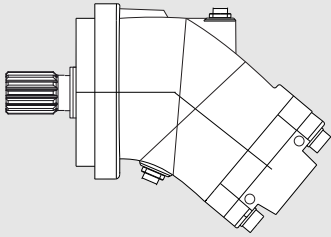
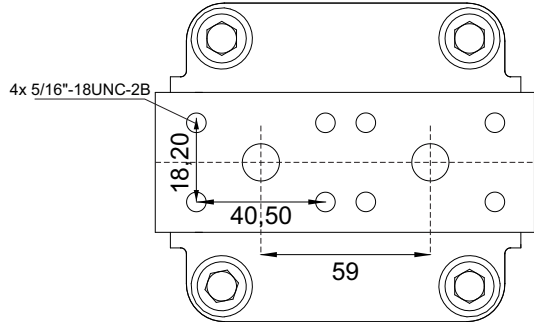


# 2PEM 32 - SAE C - 4 BOLT

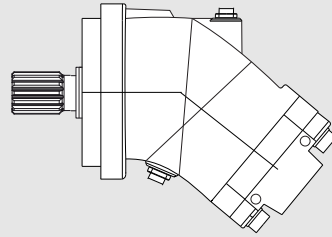
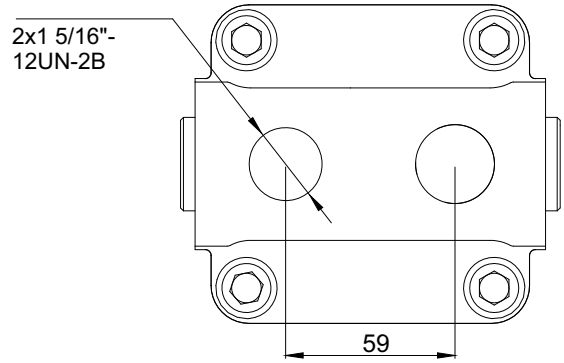
**R1**

Rear SAE flange ports A and B  
SAE 1/2" 6000 PSI



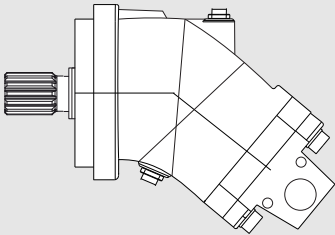
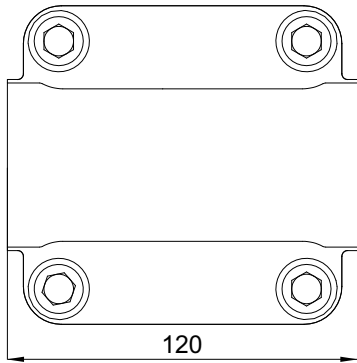
**R2**

Rear threaded ports



**D3**

Side threaded ports A and B



**D4**

Side threaded ports A and B

