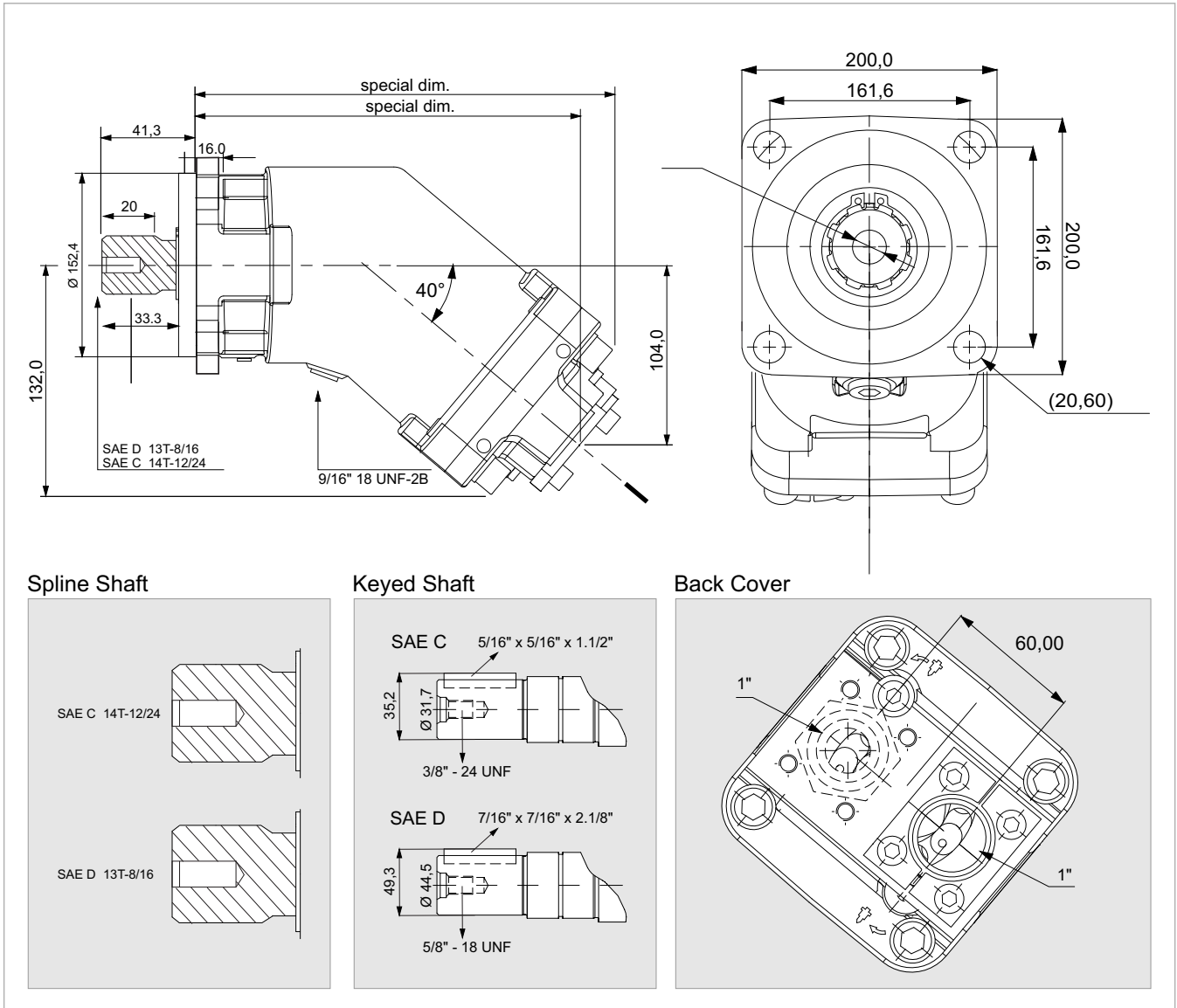
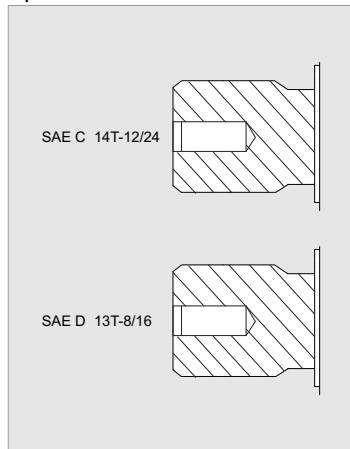


2PE 130 - SAE D - 4 BOLT

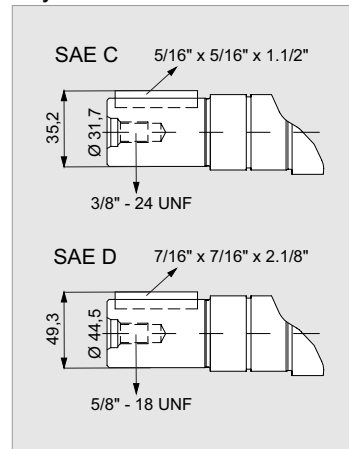
SAE D 13T-8/16
SAE C 14T-12/24



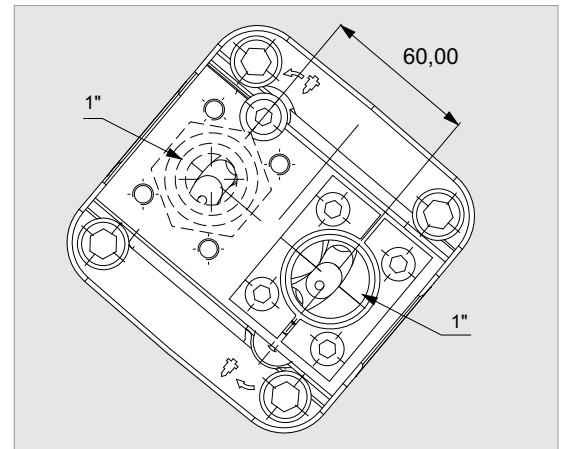
Spline Shaft



Keyed Shaft



Back Cover



Flow, Speed, Pressure List of 2PE 130

x 1000 rpm	130,00 cc
x 1500 rpm	195,00 cc
Max. Continuous Pump Speed	1600 rpm
Max. Limited Pump Speed	1750 rpm
Max. Continuous Pressure	350 bar
Max. Intermit. Peak Pressure	400 bar
Max. Torque at 350 bar	746 Nm
Weight without inlet fitting	21,50 kg
Weight with inlet fitting	22,00 kg
Rotation	CW-CCW

