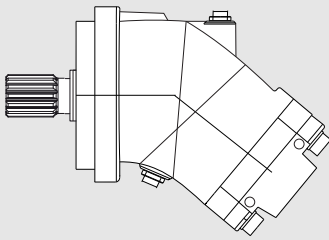
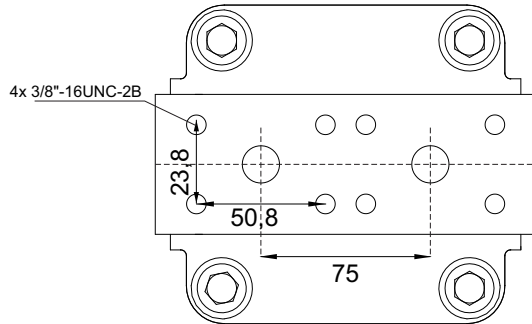


# 2PEM 63 - SAE C - 4 BOLT

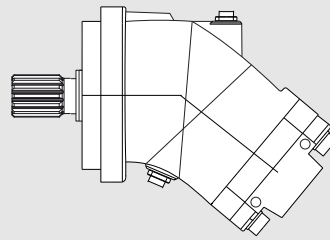
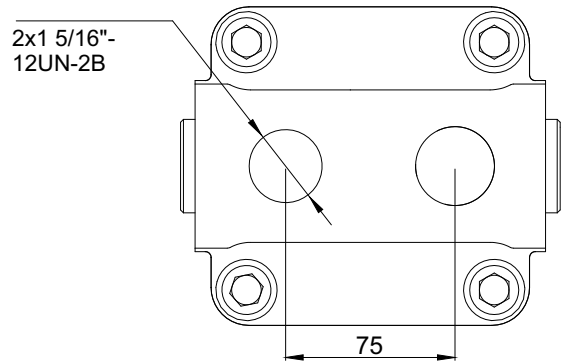
**R1**

SAE flange ports rear  
SAE 3/4" 6000 PSI



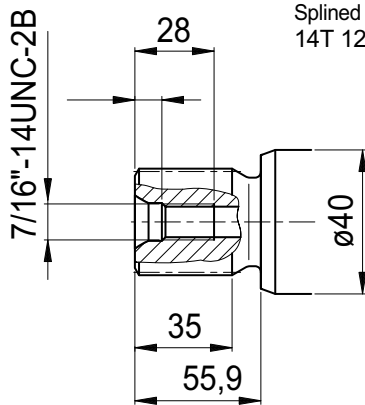
**R2**

Rear threaded ports



**J1**

Splined shaft  
14T 12/24DP 1 1/4"



**J2**

Cylindrical keyed shaft  
Ø 1 1/4"

