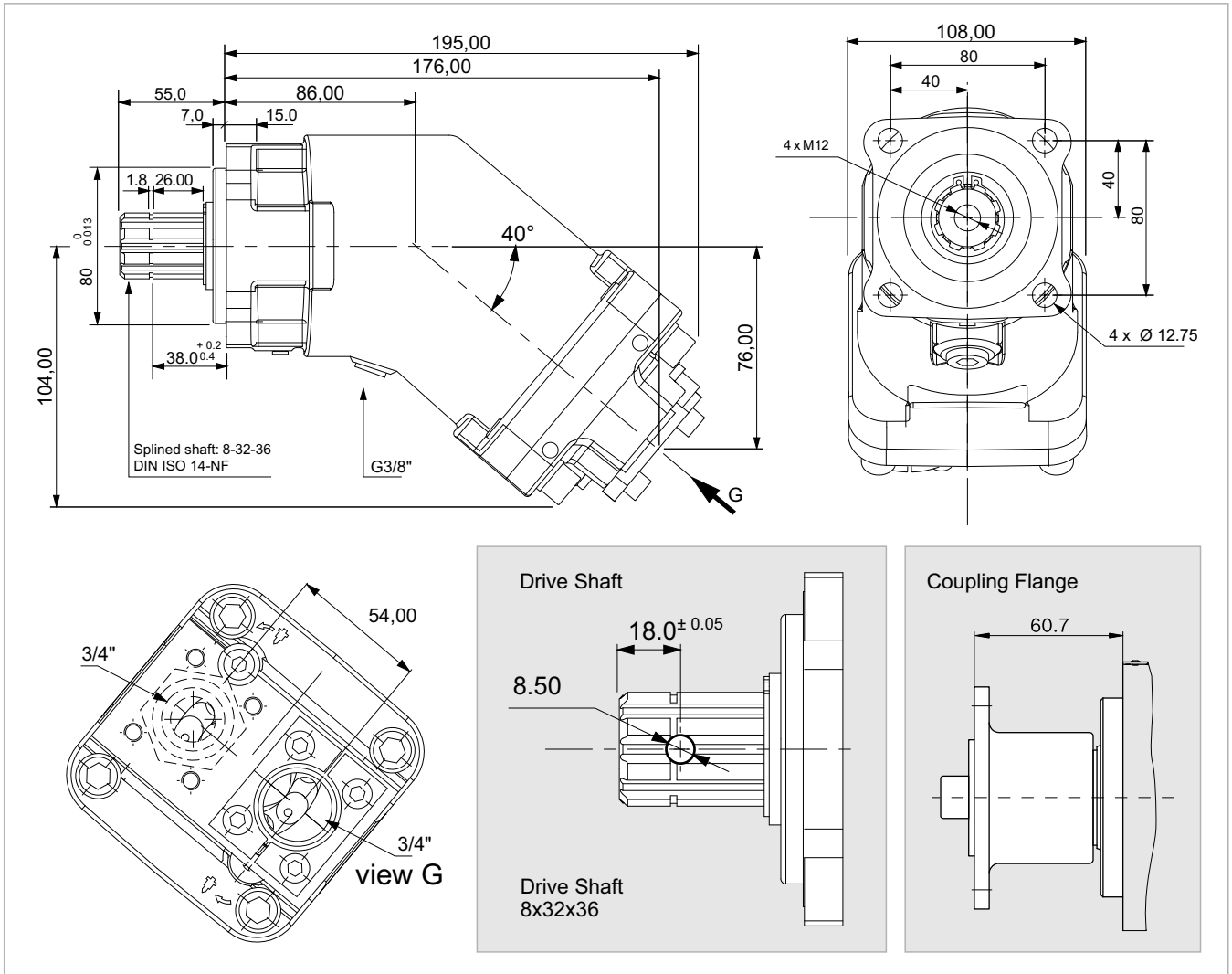


2PBA 25



| | |
|-------------------------------------|---------------|
| x 1000 rpm | 25,00 cc |
| x 1500 rpm | 37,50 cc |
| Max. Continuous Pump Speed | 2300 rpm |
| Max. Limited Pump Speed | 2700 rpm |
| Max. Continuous Pressure | 350 bar |
| Max. Intermit. Peak Pressure | 400 bar |
| Max. Torque at 350 bar | 146 Nm |
| Weight without inlet fitting | 9,50 kg |
| Weight with inlet fitting | 9,90 kg |
| Torque without inlet fitting | 8,82 N.m |
| Torque with inlet fitting | 9,23 N.m |
| Rotation | CW-CCW |
| Fluid | Min.B.Hyd.Oil |
| Inlet & Outlet | 3/4" |

Flow, Speed, Pressure List of 2PBA 25

