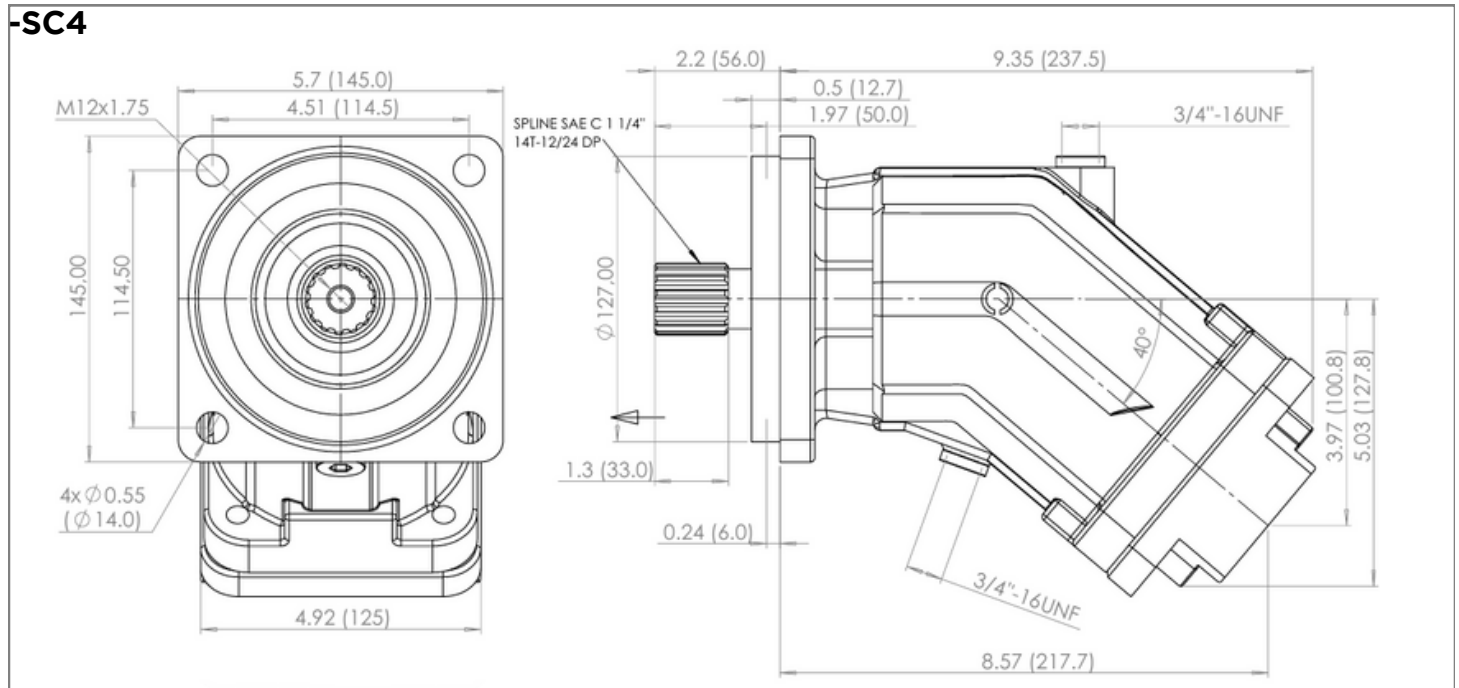


MOUNTING FLANGE (SAE J744)



-PORTING OPTIONS-

With BSP, SAE O-ring boss, ISO 6149 Threading



REAR



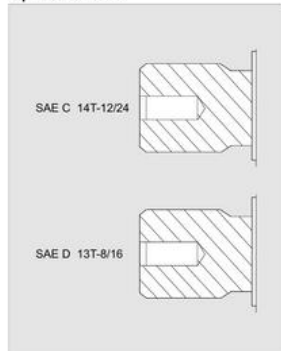
SIDE



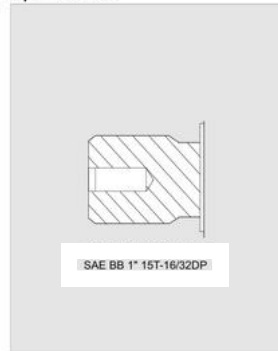
REAR+SIDE

-Shaft

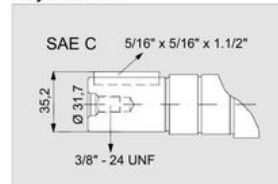
Spline Shaft



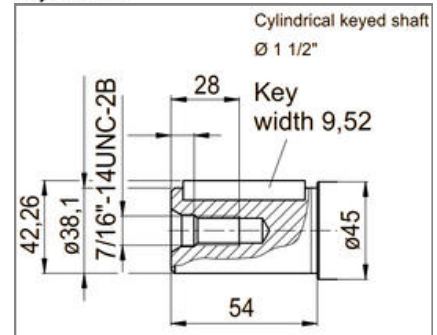
Spline Shaft



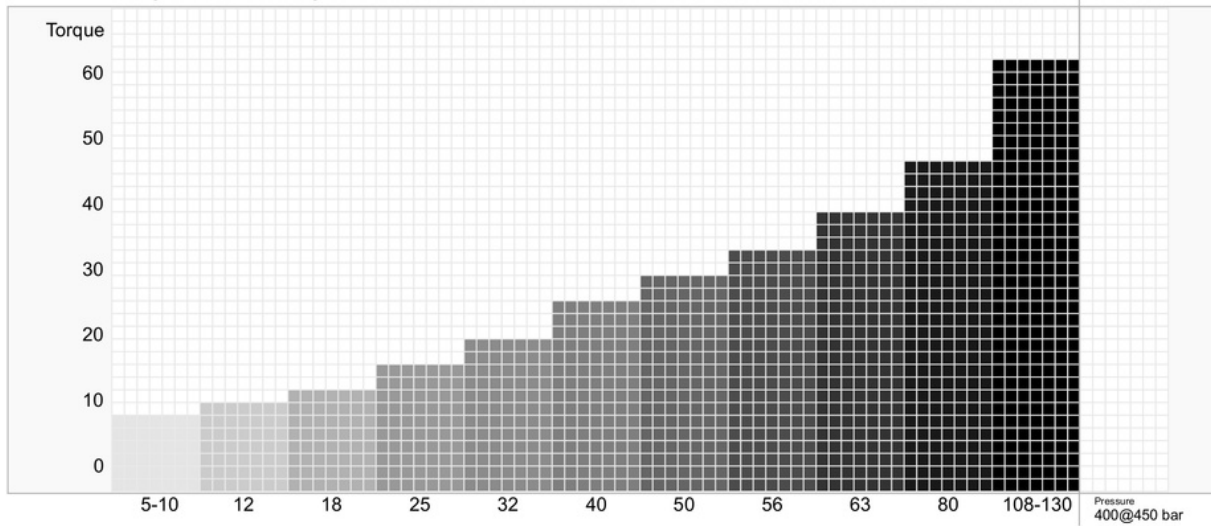
Keyed Shaft



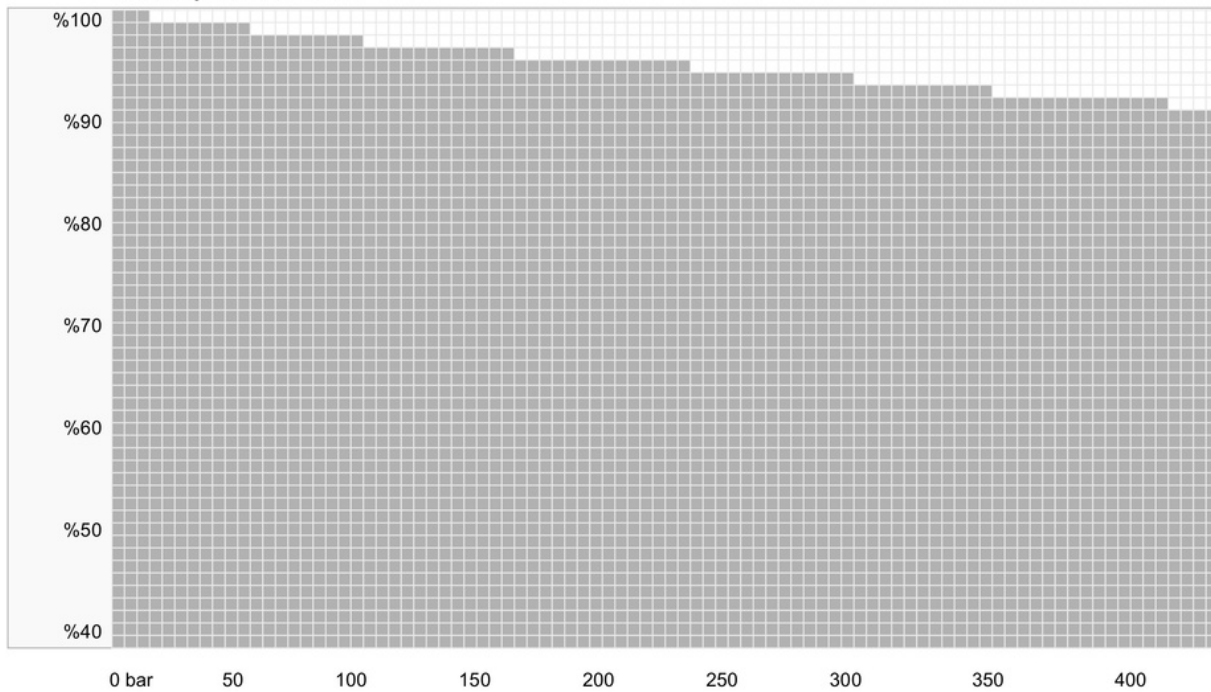
Keyed Shaft



Compare Table of Torque



Efficiency of 2PEM Motors



C-2PEM: Ordering Code and Specifications Table

Type Code	Displacement (cm3)	Rotation	Version	Sealing	Mounting Flange	Shaft	Flow
C-2PEM	12,18,25,32, 40,50,63,80, 108,130	Both (cw,ccw)	Special Classic (S,C)	Nitrile, Viton (N,V)	According the Specifications	According the Specifications	R, S, RS (Super, Bidirectional)

	12	18	25	32	40	50	63	80	108	130	
SB2	●	●	●	●	●						SAE B-2 Hole
SB4	●	●	●	●	●	●	●				SAE B-4 Hole
SC4						●	●	●	●	●	SAE C-4 Hole

	12	18	25	32	40	50	63	80	108	130	
B13	●	●	●	●	●	●	●				SAE B 13T 16/32
BB15				●	●	●	●				SAE BB 15T 16/32
C14						●	●	●	●	●	SAE C 14T 12/24
D13								●	●	●	SAE D 13T 8/16
K1	●	●	●	●	●	●	●				1" Parallel Keyed
K1114				●	●	●	●	●	●	●	1 1/4" Parallel Keyed

ISO1179, SAE J1926

*Availebe on Request

	Rear Ports
12	G3/4, SAE 12
18	G3/4, SAE 12
25	G3/4, SAE 12
32	G1, SAE 16
40	G1, SAE 16
50	G1, SAE 16
63	G1, SAE 16
80	G1, SAE 16
108	G1, SAE 16
130	G1, SAE 16

	R02
80	G1, SAE 16
108	G1, SAE 16
130	G1, SAE 16

	Side Ports
12	G3/4, SAE 12
18	G3/4, SAE 12
25	G3/4, SAE 12
32	G1, SAE 16
40	G1, SAE 16
50	G1, SAE 16
63	G1, SAE 16
80	G1, SAE 16
108	G1, SAE 16
130	G1, SAE 16

	Rear + Side Ports	
	Rear	Side
12	G3/4, SAE 12	G3/4, SAE 12
18	G3/4, SAE 12	G1/2, SAE 8
25	G3/4, SAE 12	G3/4, SAE 12
32	G1, SAE 16	G1, SAE 16
40	G1, SAE 16	G1, SAE 16
50	G1, SAE 16	G1, SAE 16
63	G1, SAE 16	G1, SAE 16
80	G1, SAE 16	G1, SAE 16
108	G1, SAE 16	G1, SAE 16
130	G1, SAE 16	G1, SAE 16

