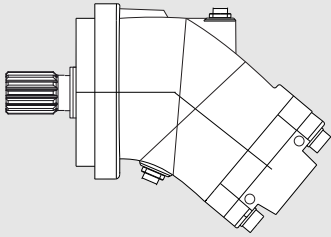
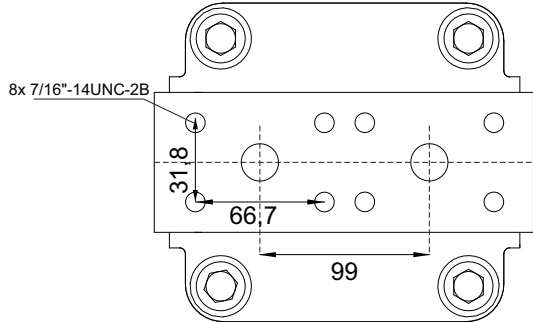


# 2PEM 108 - SAE D - 4 BOLT

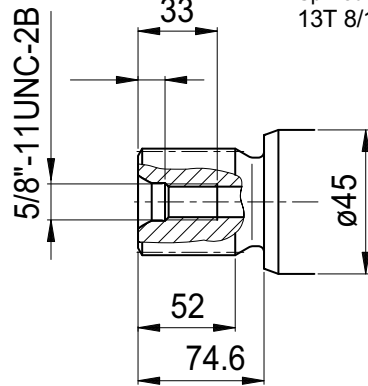
**R1**

SAE flange ports rear  
SAE 1 1/4" 6000 PSI



**J1**

Splined shaft  
13T 8/16DP 1 3/4"



**J2**

Cylindrical keyed shaft  
 $\phi 1 3/4$ "

