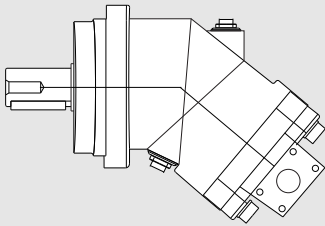
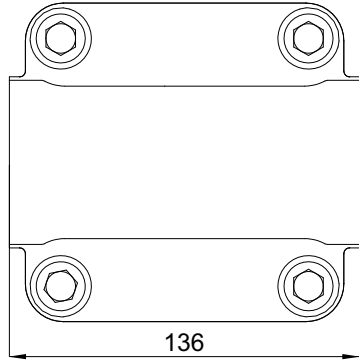


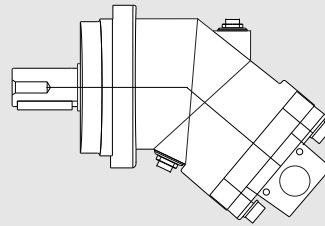
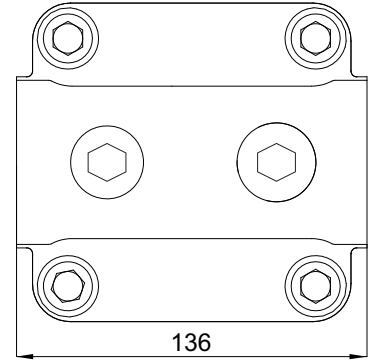
D1-D2

SAE flange ports, side A and B
SAE 3/4" 6000 PSI



D3

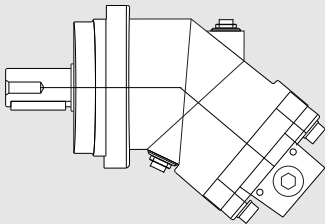
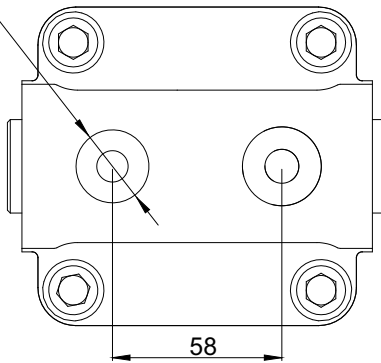
Side threaded ports A and B



R2

Rear threaded ports

M33x2 prof. 18



D4

Side threaded ports A and B

