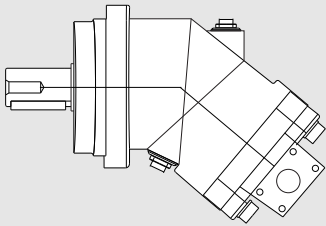
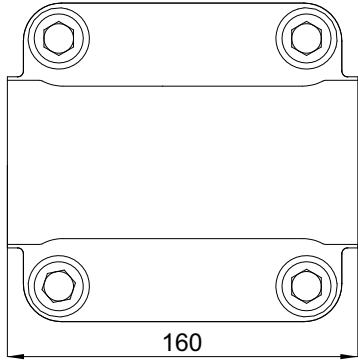


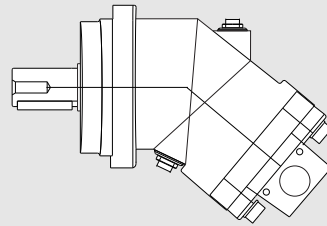
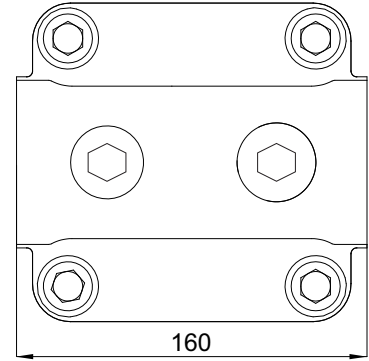
D1-D2

SAE flange ports, side
SAE 1" 6000 PSI



D3

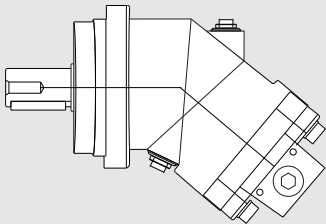
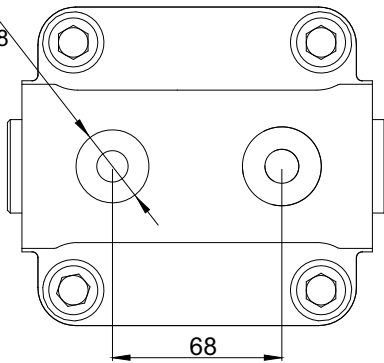
Side threaded ports



R2

Rear threaded ports

M33x2 depth 18



D4

Side threaded ports

