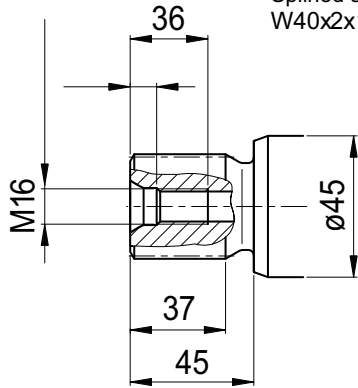


2PM 130

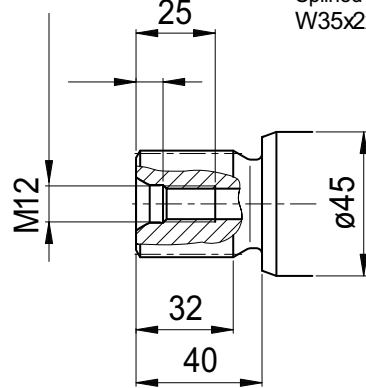
S1

Splined shaft DIN 5480
W40x2x18x9g



S2

Splined shaft DIN 5480
W35x2x16x9g



K1

Parallel keyed shaft
DIN 6885, As12x8x56

Key
width 12

