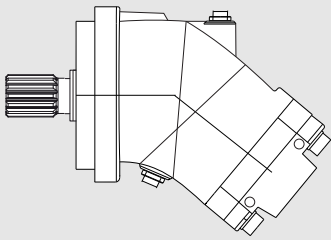
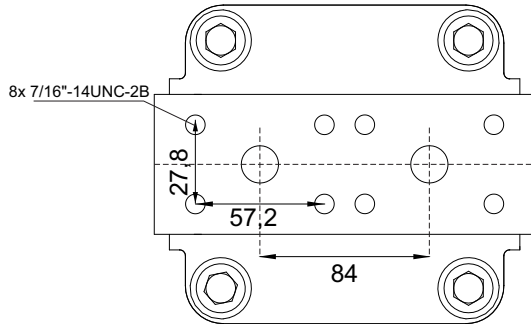


2PEM 108 - SAE C - 4 BOLT

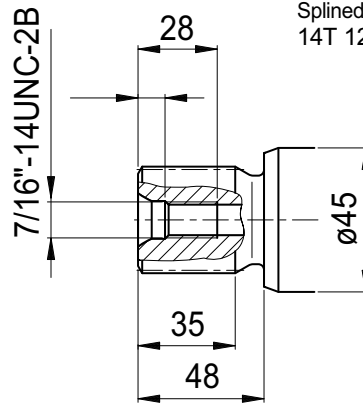
R1

SAE flange ports rear
SAE 1" 6000 PSI



J1

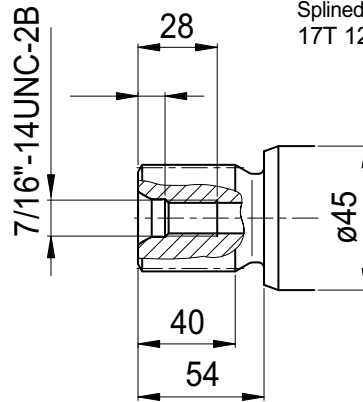
Splined shaft
14T 12/24DP 1 1/4"



!! Special

J1

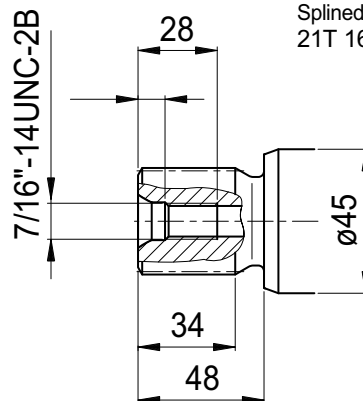
Splined shaft
17T 12/24DP 1 1/2"



!! Special

J1

Splined shaft
21T 16/32DP 1 3/8"



J2

Cylindrical keyed shaft
Ø 1 1/2"

