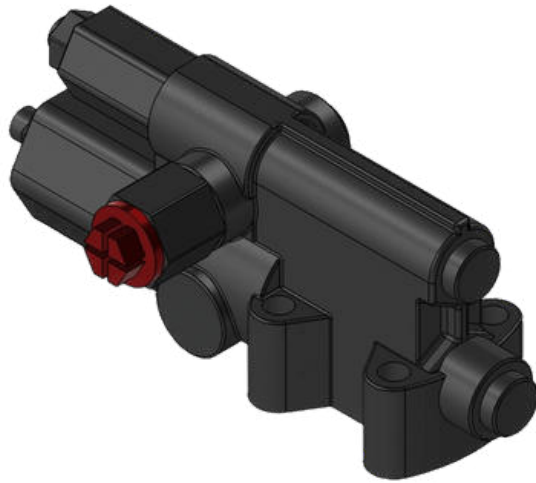


Accessory;

# LS-X,LS-C Control (DFR,DFR1)



Size (NG)

Valve Geometric displacement,

18 28 45 71 88 100 140

Load Sense X-Decompression  
Load sense X-Closed

