

Installation

POSITION

2PBM Motors can be operate any position.

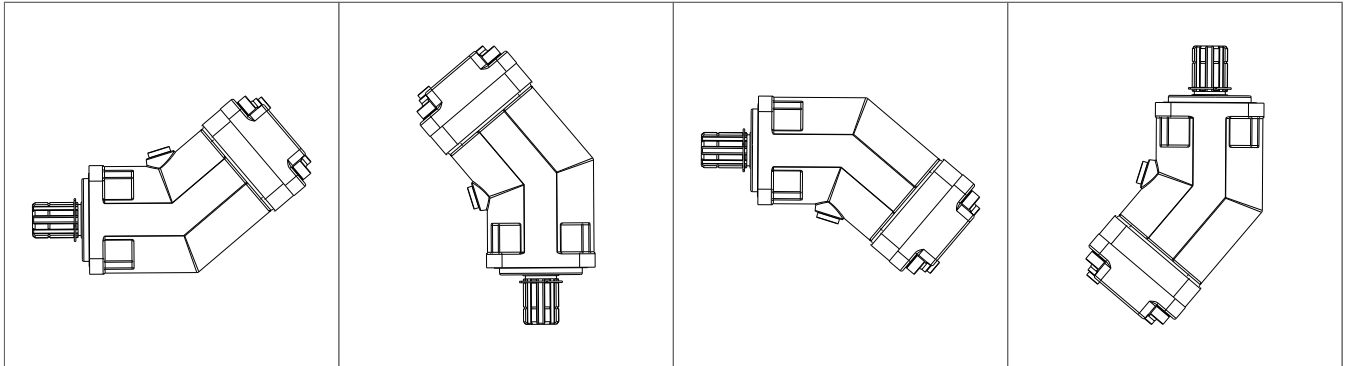
DIRECTION OF ROTATION

2PBM Motors can be operate in both directions of rotation.

Before of Installation operation, the motor must be filled with hydraulic fluid and air bled.

INSTALLATION POSITION

See following examples.

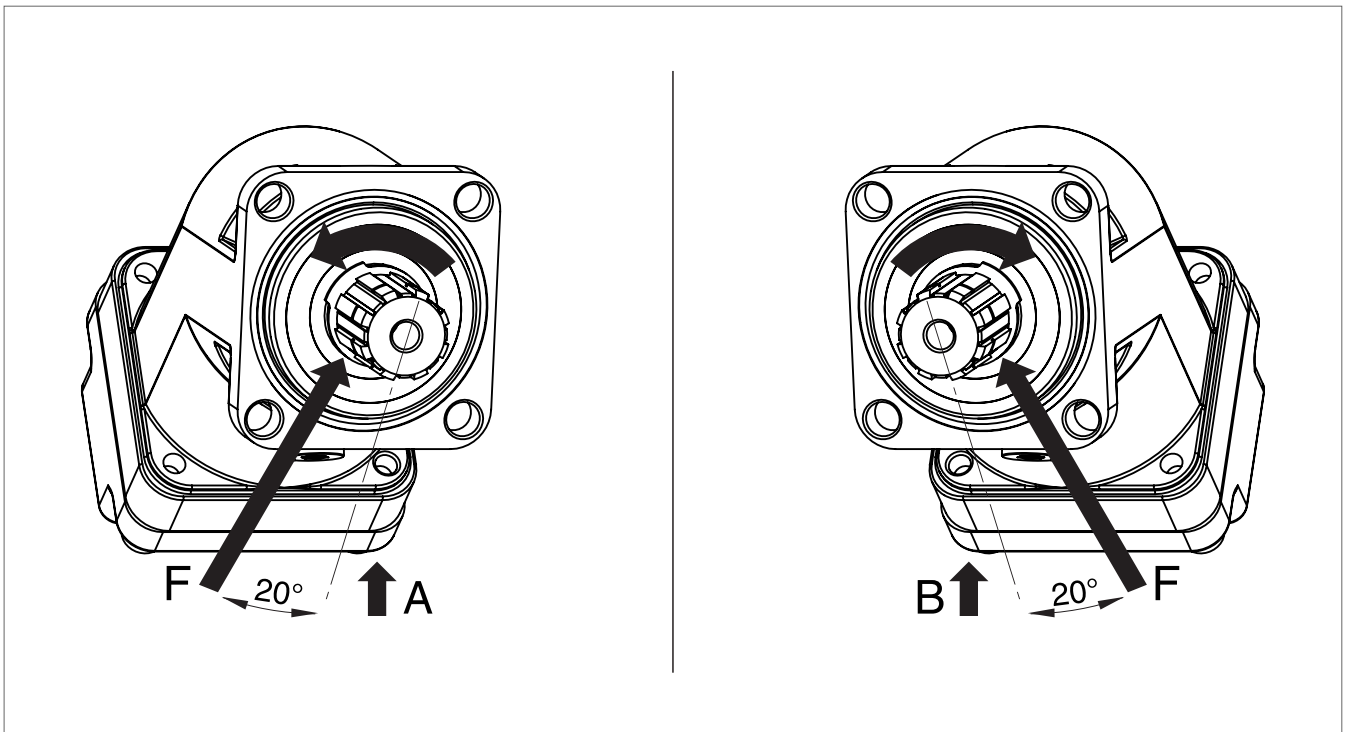


HYDRAULIC FLUID

Recommended ;

Generally : between 15 and 200 cSt.

Maximum : between 5 and 1600 cSt.



FOR USE;

Available via e-mail on request or each motor is supplied via Starting datasheet.

For detailed information about 2PBM Bent Axis Motors, please contact with Technical Department !!!